

ABOVEGROUND TANK TECHNICAL DATA SHEET (VERTICALE)

Material: one-piece tank in high density linear polyethylene (LLDPE), for aboveground installation, fitted with threaded cover and threaded connections for inlet, outlet and full drain pipes.

Application: ideal for storing potable water, rainwater or other liquid foodstuffs (see "Declaration of conformity").

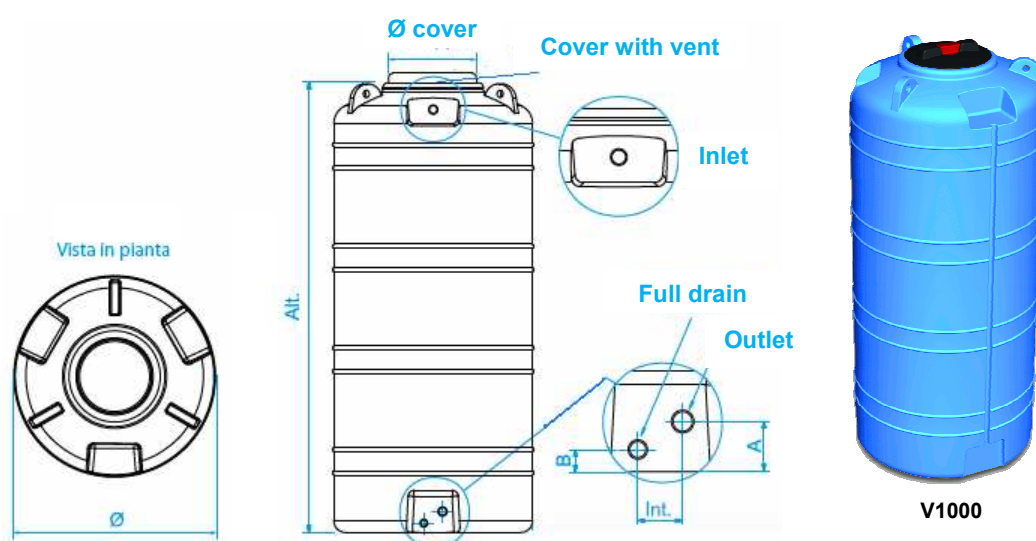
Use and maintenance: the above ground tanks possess the ideal characteristics for the problem-free storage of large volumes of liquids. There are no material oxidation or corrosion problems that would prejudice the mechanical characteristics and impermeability of the tanks. The absence of welds (one-piece structure), which could weaken parts of the structure subjected to internal stresses, guarantees high strength and robustness.

The tanks can be bored on the appropriate flat areas for special installations.

Advantages: easy maintenance thanks to the smooth internal surface, lightness, cheaper than steel, concrete and fibreglass tanks.

Modular installation: it's possible to connect the tanks together for large storages using brass or plastic pipe unions.

Colours: standard colour: blue; on request: green, terracotta, black and grey.



Item	Volume (lt)	Ø (cm)	H (cm)	Ø cover (cm)	Ø inlet	Ø outlet	Ø full drain	Lifting eye	Threaded insert dimensions (cm)		
									A	B	Int.
V 50	50	43	43	19,5	-	-	3/4"	-	-	4,5	-
V 150	150	60	70	19,5	3/4"	-	3/4"	-	-	4	-
V 300	300	63	110	19,5	3/4"	-	3/4"	-	-	4	-
V 500	500	68	152	30	3/4"	1"	3/4"	-	4	9	6
V 1000	1000	85	193	30	1"	1"	3/4"	3	4	9	8
V 2000	2000	115	210	40	1"	1"	3/4"	3	5	10	9
V 3000	3000	135	230	40	1"	1"	3/4"	3	6	11	10
V 10000	10000	246	246	60	-	-	-	4	-	-	-

Dimensional tolerance: ± 3%; capacity tolerance: ± 5%.

WARNINGS:

- The above ground tanks **MUST NOT be installed underground.**
- Check the integrity of the tanks and tightness of the gaskets.
- DO NOT install the tanks near to sources of heat.
- Install the tanks on a flat stable surface and in easily reachable locations for any maintenance or replacement operations.
- To prevent the formation of algae, make sure that no light can filter in the tank and do not leave the tank without its cover for any length of time.
- Use flexible hoses when connecting to the water system in order to prevent stresses during tank filling and emptying.
- For storing fluids not expressly indicated in this document contact okomarket.hu technical office.